

# INSTALLATION NOTES

Thank you for purchasing DELTACAST products!


## SOFTWARE DOWNLOAD

Connect to [www.deltacast.tv](http://www.deltacast.tv) and download the latest version of VideoMaster software:

Browse to the **Download Center** section under the *Support* menu, and select the VideoMaster SDK or redistribution package that matches your operating system. Lost your password? Request it to [contact@deltacast.tv](mailto:contact@deltacast.tv).

Then, unfold the archive files to any temporary folder on your PC, and proceed to hardware and software installation.

## HARDWARE INSTALLATION


 Caution! Please make sure precautions are taken against antistatic before handling DELTACAST devices!

To insert a DELTACAST card in your PC, proceed as follows:

- ▶ Turn off your computer and turn off all power supplies
- ▶ Open your PC case and locate a free, well-ventilated, PCI-e slot
- ▶ Remove the metal plate of your PC case and carefully insert the card into that slot.
- ▶ Make sure that the card is firmly in place and fasten its bracket to the PC case.
- ▶ Re-assemble your PC case and re-connect the power supply cable

## WINDOWS SOFTWARE INSTALLATION

For complete information on installing and configuring your equipment, we recommend that you consult the **Installation Guide** available on [www.deltacast.tv](http://www.deltacast.tv).

 You must have sufficient privileges to complete both a driver installation and a standard application setup process

To install DELTACAST drivers under Microsoft Windows, repeat the following steps for each device you wish to install. Reboot the PC after each card installation:

- ▶ Turn on your PC and start Windows. Once logged in, you will be prompted with the Found New Hardware Wizard
- ▶ Select *Install from a list or specific location* and include the folder where you unzipped the redistribution package
- ▶ At the end of installation, reboot the PC if Windows asks to be restarted

To install VideoMaster runtime libraries (DLL files), you must manually copy them from the relevant redistribution package to either your application folder or to the Windows System32 or SysWow64 folder, depending on if you work in 32 bits or in 64 bits.

## LINUX SOFTWARE INSTALLATION

To compile and install DELTACAST drivers and SDK under Linux operating systems, please refer to the **Installation Guide** document present in the SDK package you downloaded from [www.deltacast.tv](http://www.deltacast.tv).

## OS X SOFTWARE INSTALLATION

To install DELTACAST drivers under OS X, run the VideoMaster redistributable package and follow the instruction.

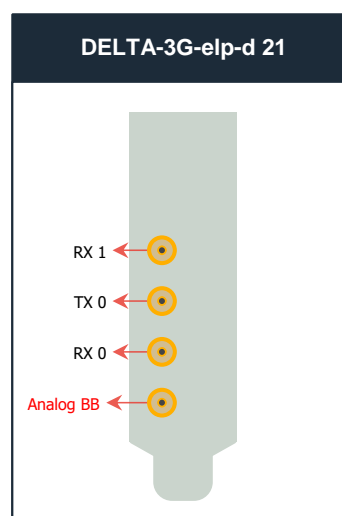
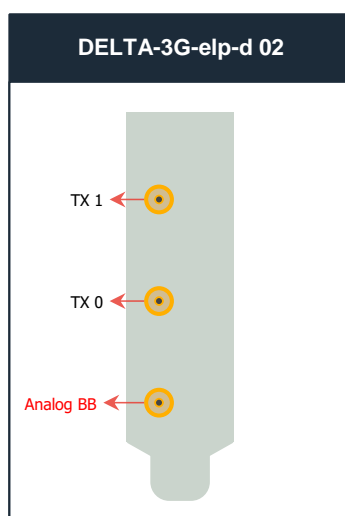
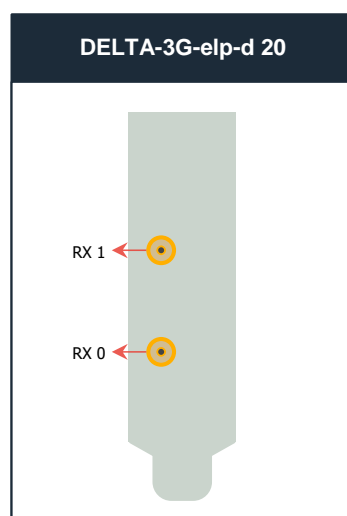
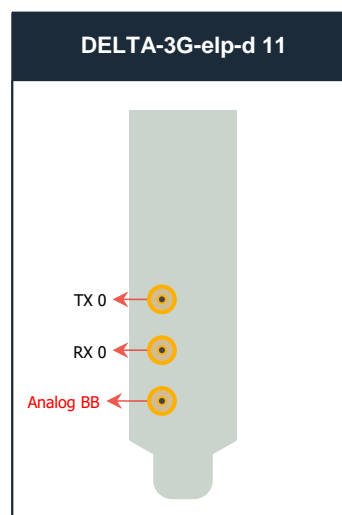
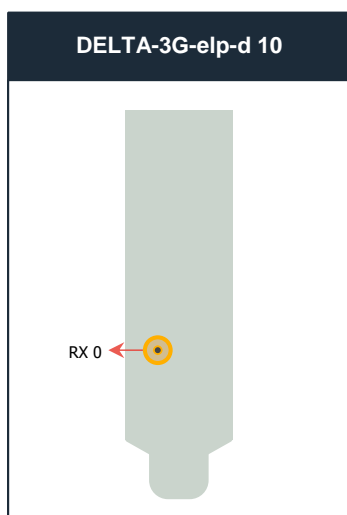
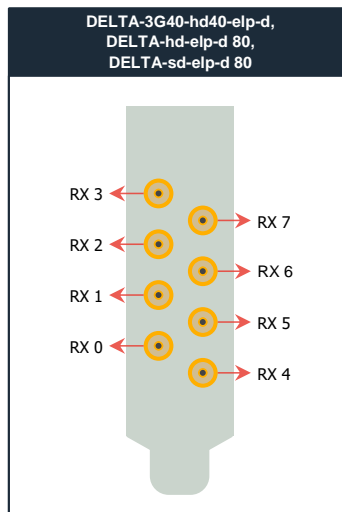
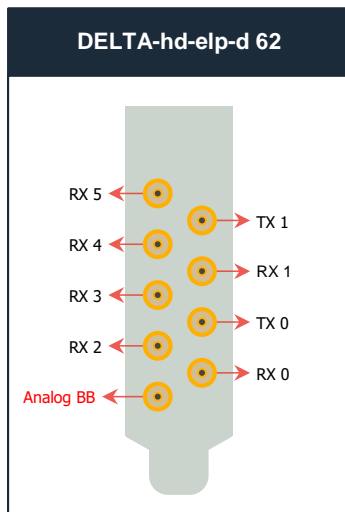
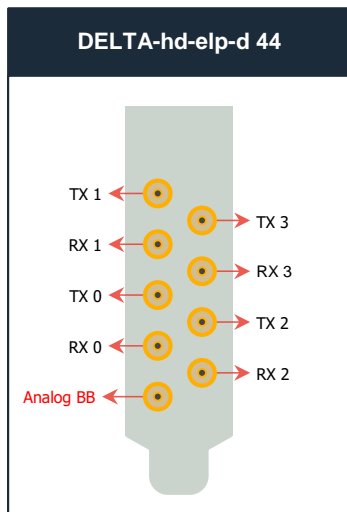
## ONLINE SUPPORT REQUEST

In case of any trouble, please connect to [www.deltacast.tv](http://www.deltacast.tv) and browse the **Support** section.

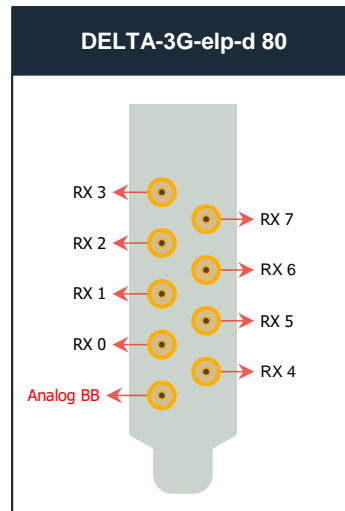
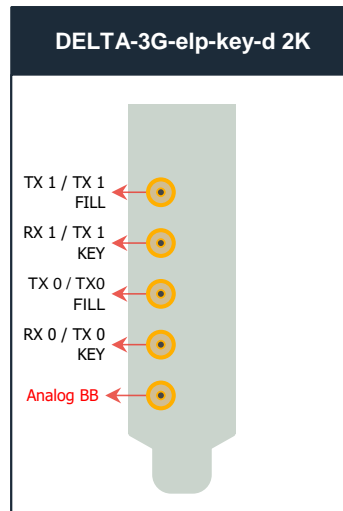
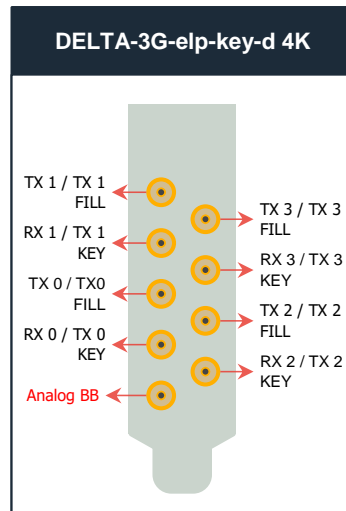
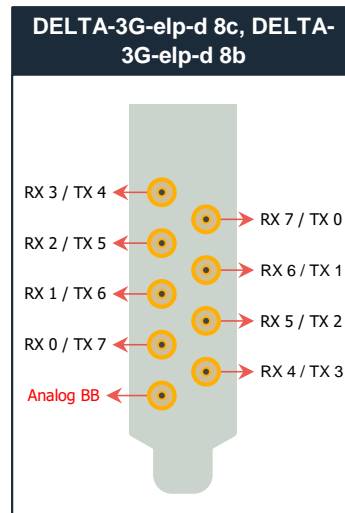
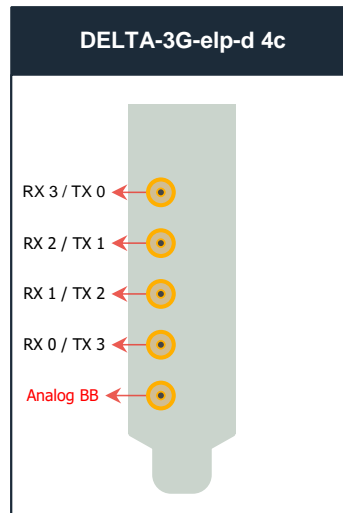
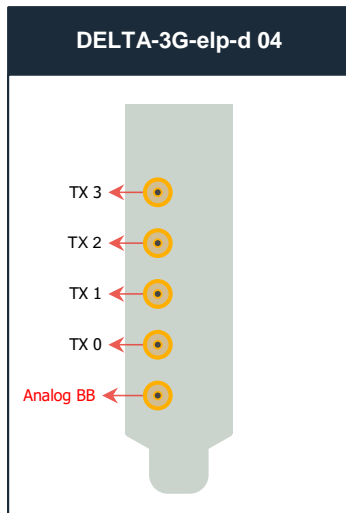
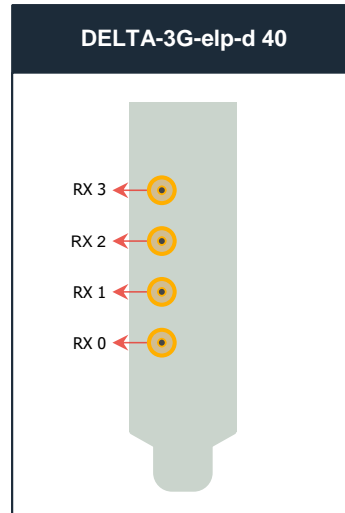
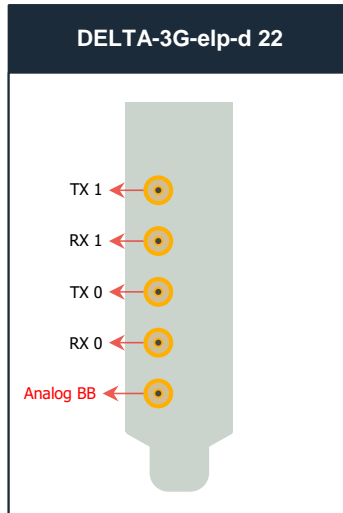
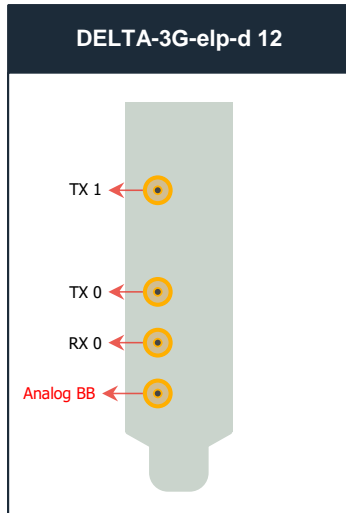
If you need further help, contact the DELTACAST technical support team for any question by sending an email to [support@deltacast.tv](mailto:support@deltacast.tv).

To return defective DELTACAST hardware, connect to [www.deltacast.tv](http://www.deltacast.tv), and browse to the **RMA request** page under the *Support* menu. There, properly fill in the *DELTACAST RMA Request Form*, and our Customer Service will send you a RMA number and hardware return instructions.

# CABLING GUIDE – SDI CARDS



# CABLING GUIDE – SDI CARDS



# CABLING GUIDE – SDI CARDS

